



Maquet Ezea
Surgical Light
Simplicity redefined

GETINGE 



Simplicity redefined

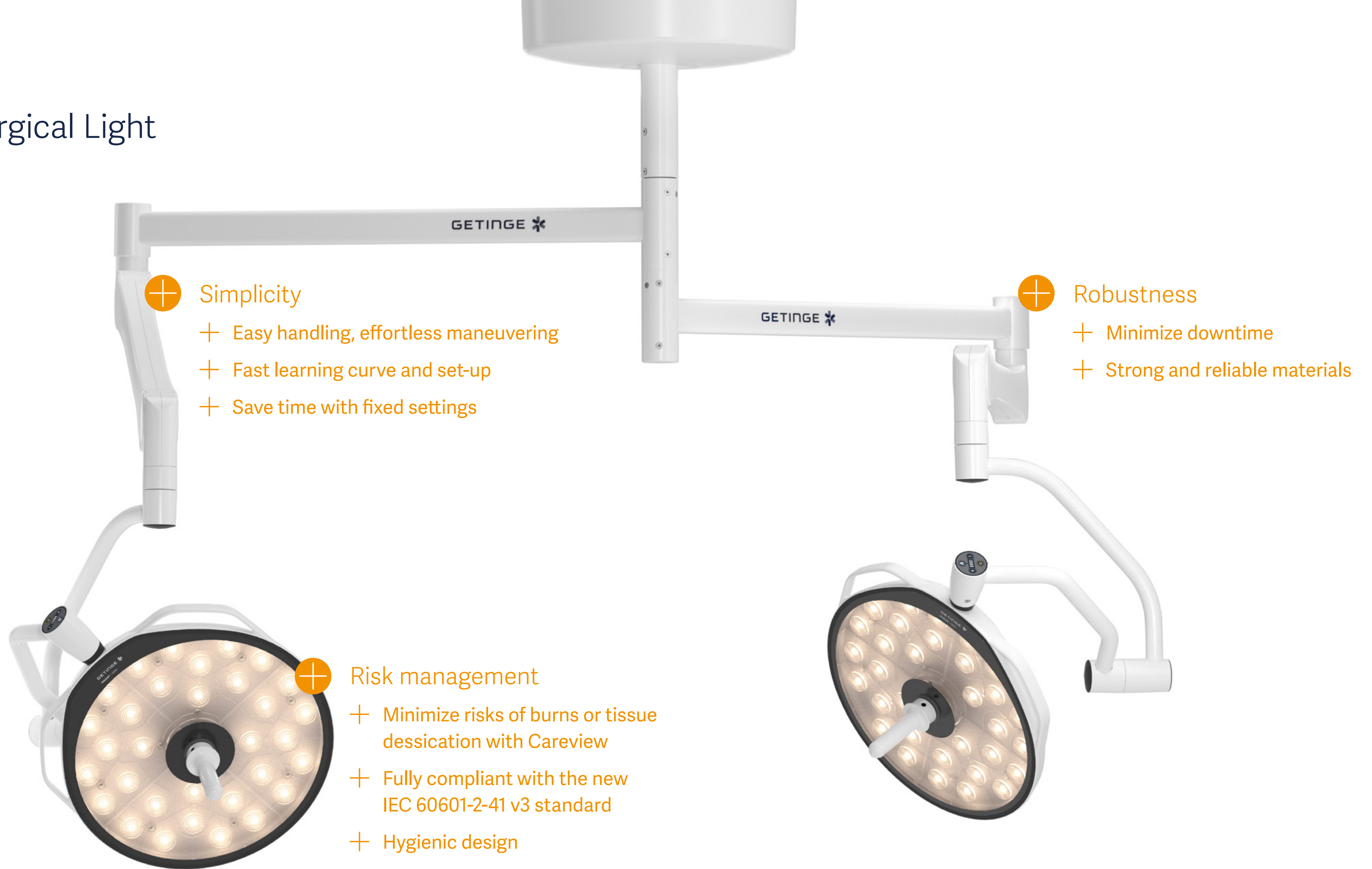
Maquet Ezea Surgical Light

Hospitals face many challenges, including the strain of operating with reduced staff due to high turnover rates, an influx of patients, increasingly complex medical procedures, and the relentless economic pressures that threaten the quality of healthcare services.

It is imperative to find solutions that address these multifaceted issues and ensure the continued effectiveness and sustainability of healthcare delivery. At Getinge, we empathize with the challenges you face, which has driven us to develop the Maquet Ezea surgical light.

Maquet Ezea offers user-friendly simplicity and robust reliability for a wide range of surgical applications and clinical settings such as ambulatory surgery centers. It is designed to align with evolving standards for risk management.

Maquet Ezea Surgical Light Overview



Simplicity

- + Easy handling, effortless maneuvering
- + Fast learning curve and set-up
- + Save time with fixed settings



Robustness

- + Minimize downtime
- + Strong and reliable materials



Risk management

- + Minimize risks of burns or tissue desiccation with Careview
- + Fully compliant with the new IEC 60601-2-41 v3 standard
- + Hygienic design

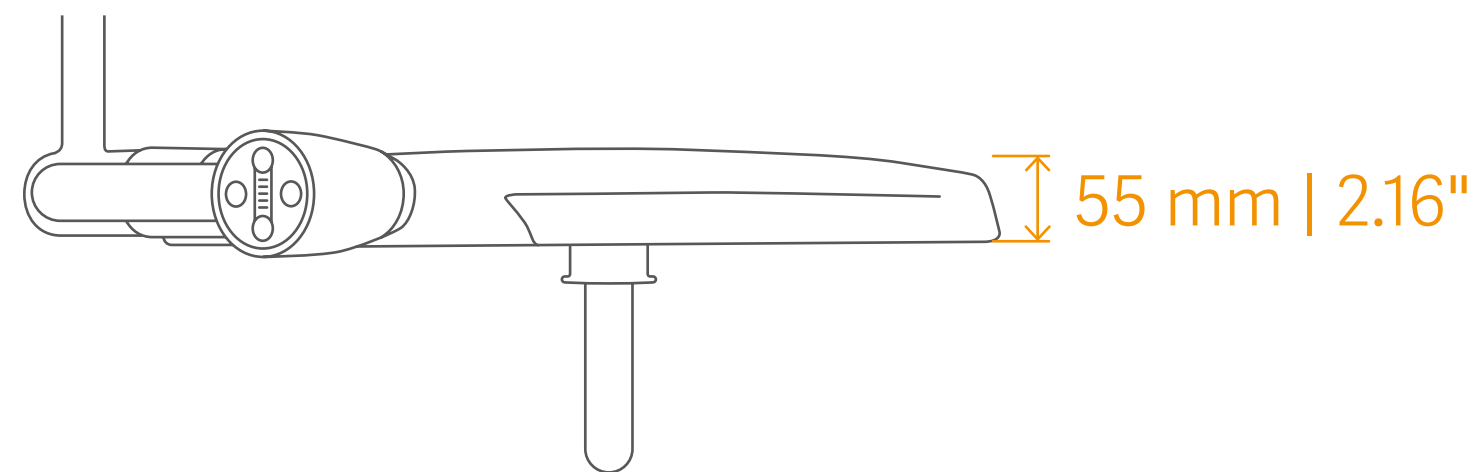
Maquet Ezea Surgical Light Simplicity

Easy handling, effortless maneuvering:

- Two external handles
- Ultra-thin and lightweight cupola of 7 kg
- Smooth and stable suspension

Fast learning curve and setup:

- Intuitive design and icons makes it simple to use
- Easy access to lighting controls via the light head keypad or the capacitive wall keypad
- Synchronize the dimming of the 2 cupolas from the wall keypad
- Round shape design: free positioning under the light head
- One single light head size: Maquet Ezea 300



Maquet Ezea Surgical Light Simplicity

Fixed settings when turned on streamline operations, saving valuable time

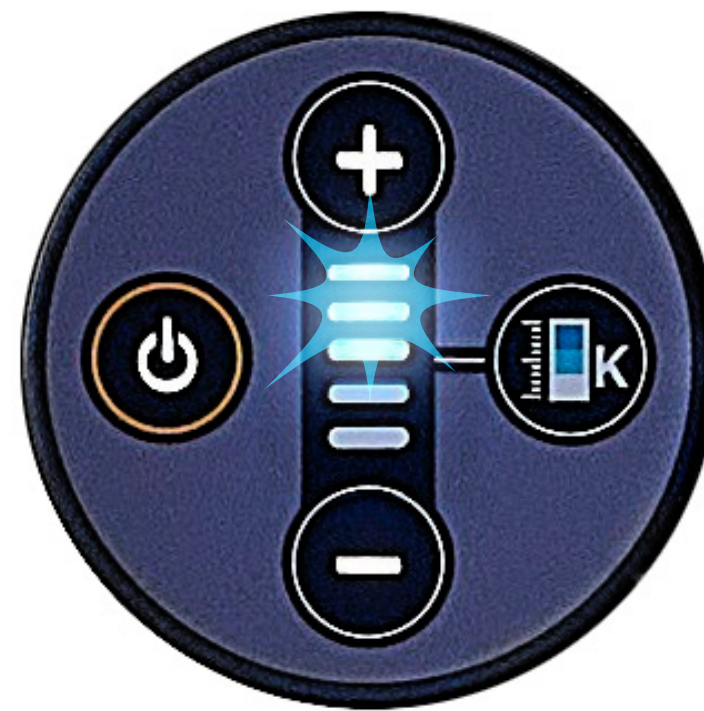
- Fixed light patch (22 cm / 8.66 in)
- Fixed color temperature or adjustable color temperature option
- A large volume of light is provided, even for the deepest of cavities, without the need for readjustment.
- Automatically switches on at dimming level 3, suitable for most surgeries
- Stable illumination: our FSP is an integrated program that guarantees constant and uninterrupted illumination. This system adjusts the current as the LEDs heat up, ensuring optimum, constant illumination throughout the procedure.



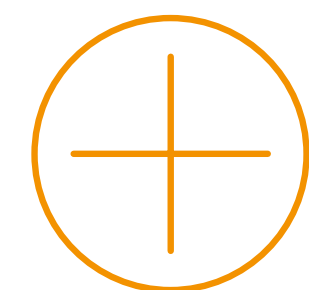
Maquet Ezea Surgical Light Risk management

Minimize risks of burns or tissue desiccation

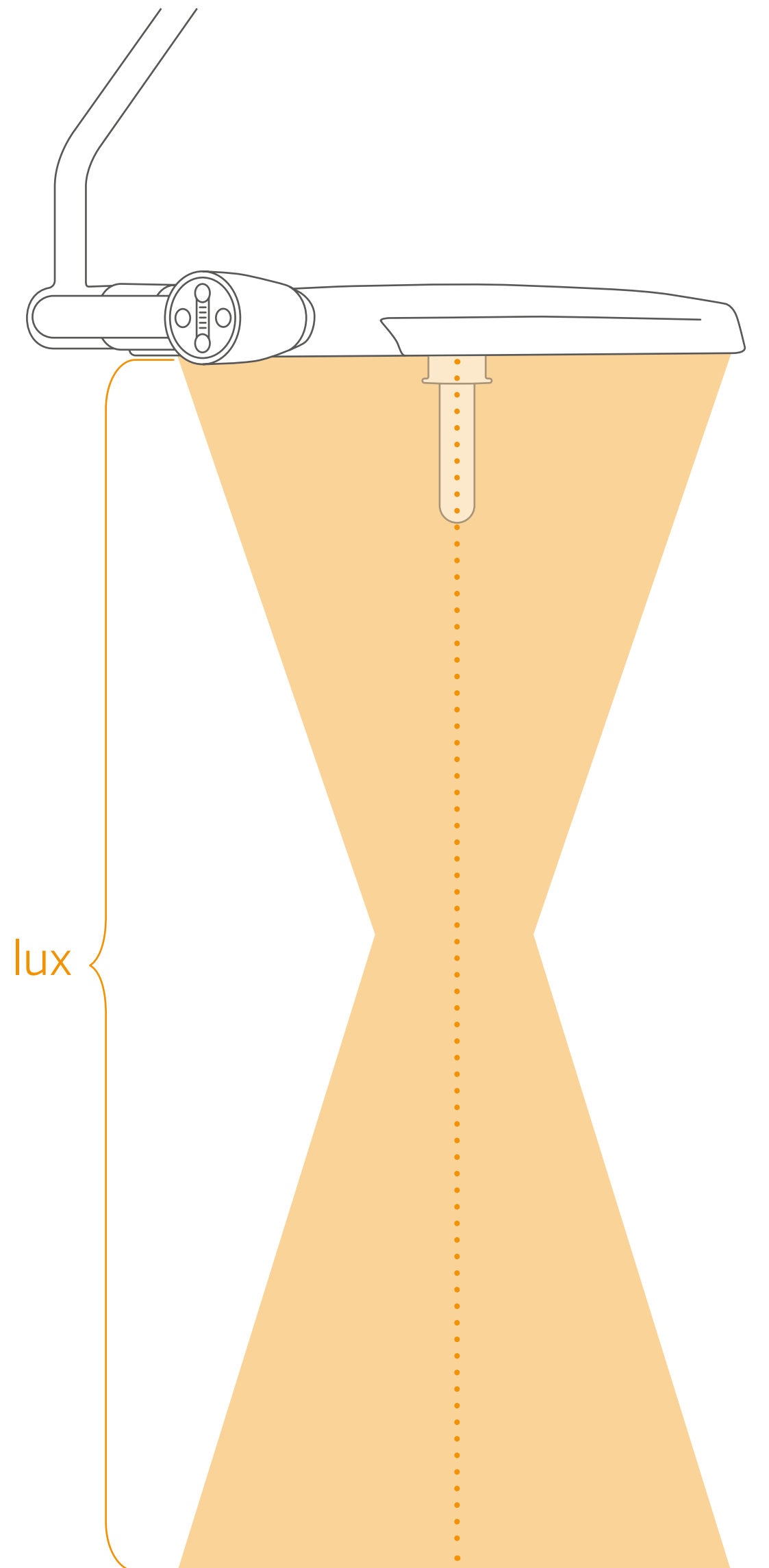
Designed to be compliant with the new IEC 60601-2-41 v3 standard, for which irradiance limit has been decreased from 1,000 W/m² to 700 W/m². When light patches overlap, there is a danger to patient tissue. Careview is a blinking visual alert to notify users of the potential risk of surpassing the irradiance limit due to the possibility of overlapping light patches.



Fully compliant with the new IEC 60601-2-41 v3 standard, the 160,000 lux safety limit is rigorously upheld and never surpassed, regardless of the distance of positioning.



Minimize risks of burns or tissue desiccation with Careview.

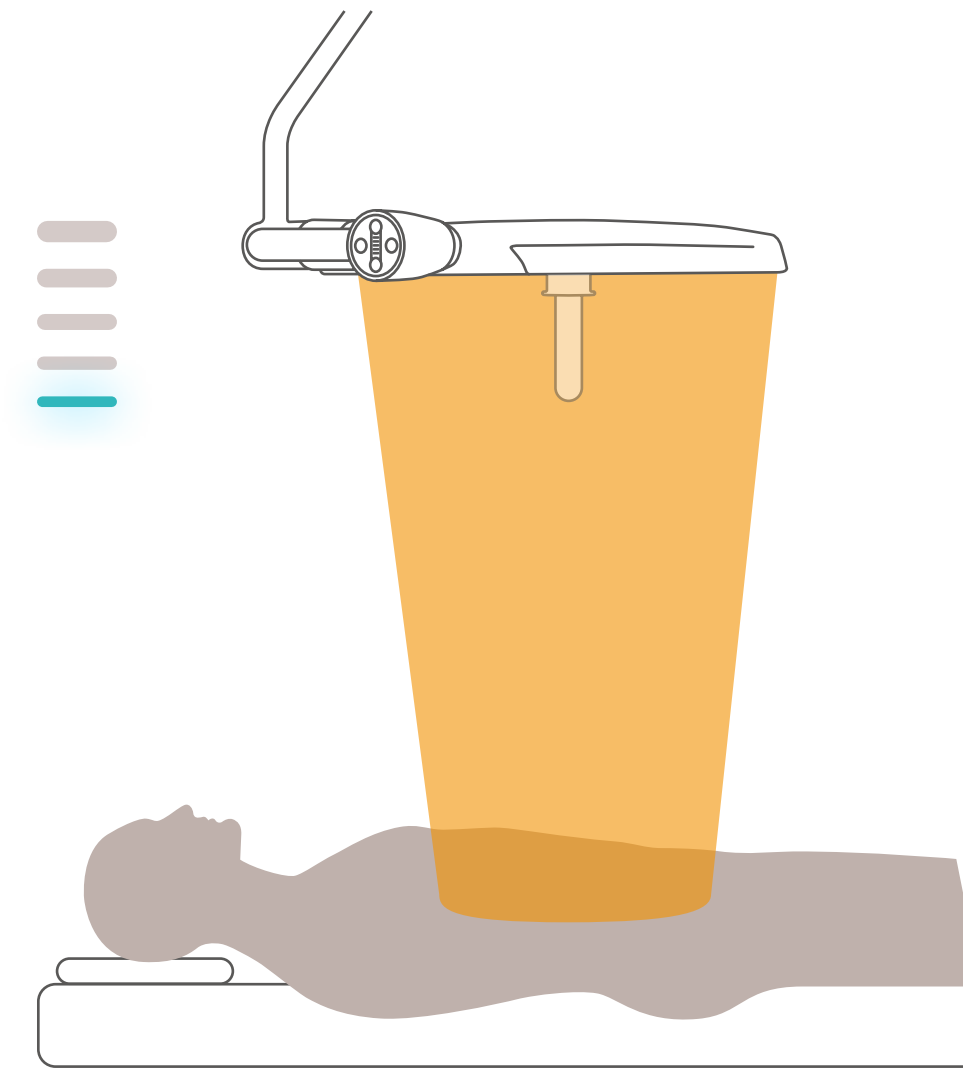


Maquet Ezea Surgical Light Risk management

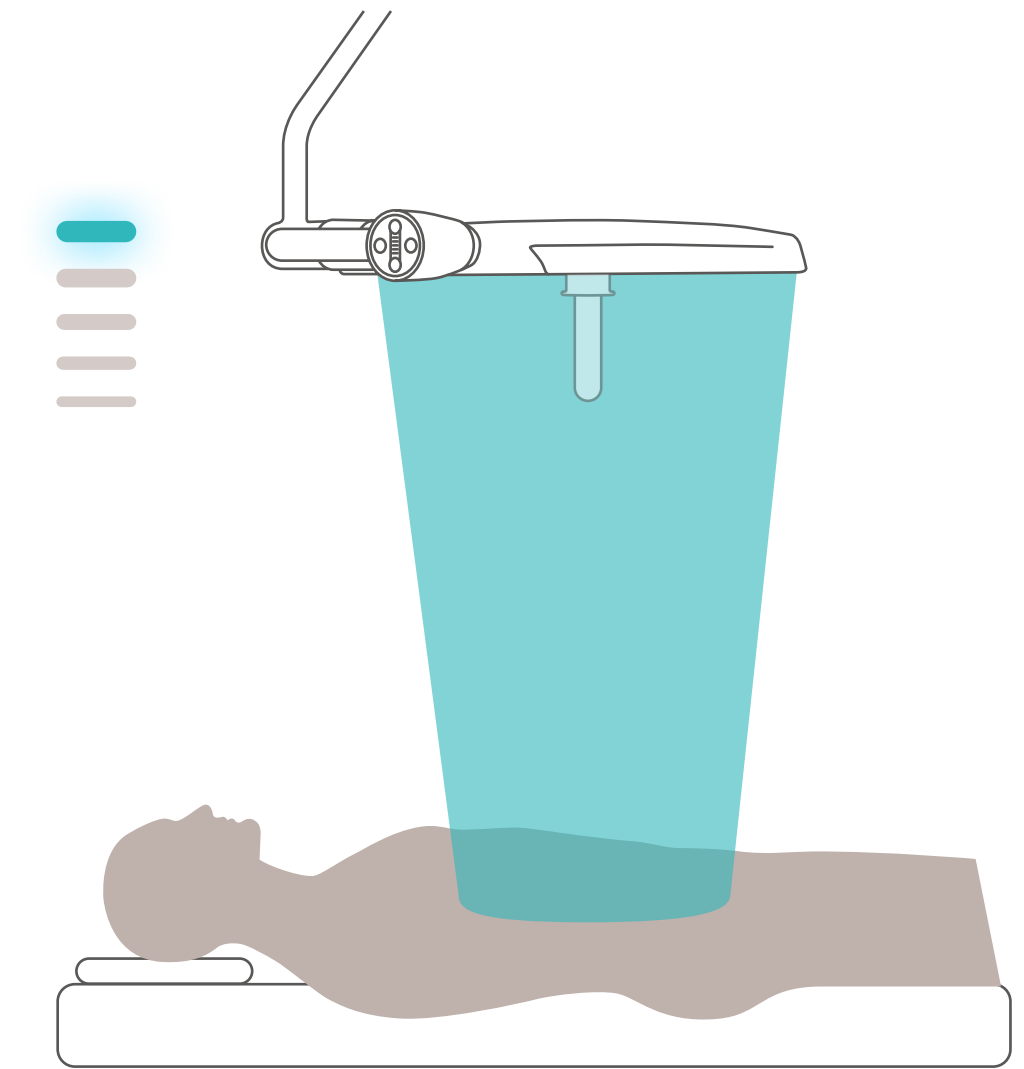
Enhance visibility and diagnostic capabilities by selecting your preferred lighting option. You have the flexibility to choose between fixed or adjustable color temperatures, offering two distinct choices of warm and cool white light to suit your preferences.

By combining a generous depth of illumination with a consistent 22 cm light patch, the necessity for frequently repositioning the light head is minimized, thus reducing the occurrence of aseptic errors.

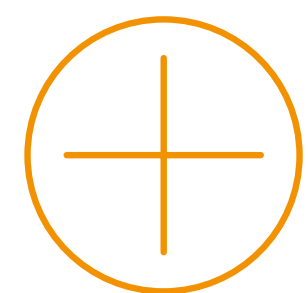
Maquet Ezea is outfitted with a sterilizable handle capable of enduring up to 350 cleanings, creating a consistently hygienic and secure surgical environment. Maquet Ezea's sleek and smoothly contoured surfaces, devoid of visible screws, facilitate effortless cleaning and disinfection.



Warm color temperature



Cold color temperature



Enjoy the flexibility to choose between fixed or adjustable color temperatures.



Enhance visibility and diagnostic capabilities by selecting your preferred lighting option.

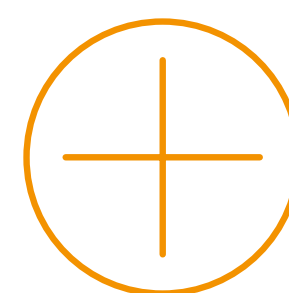
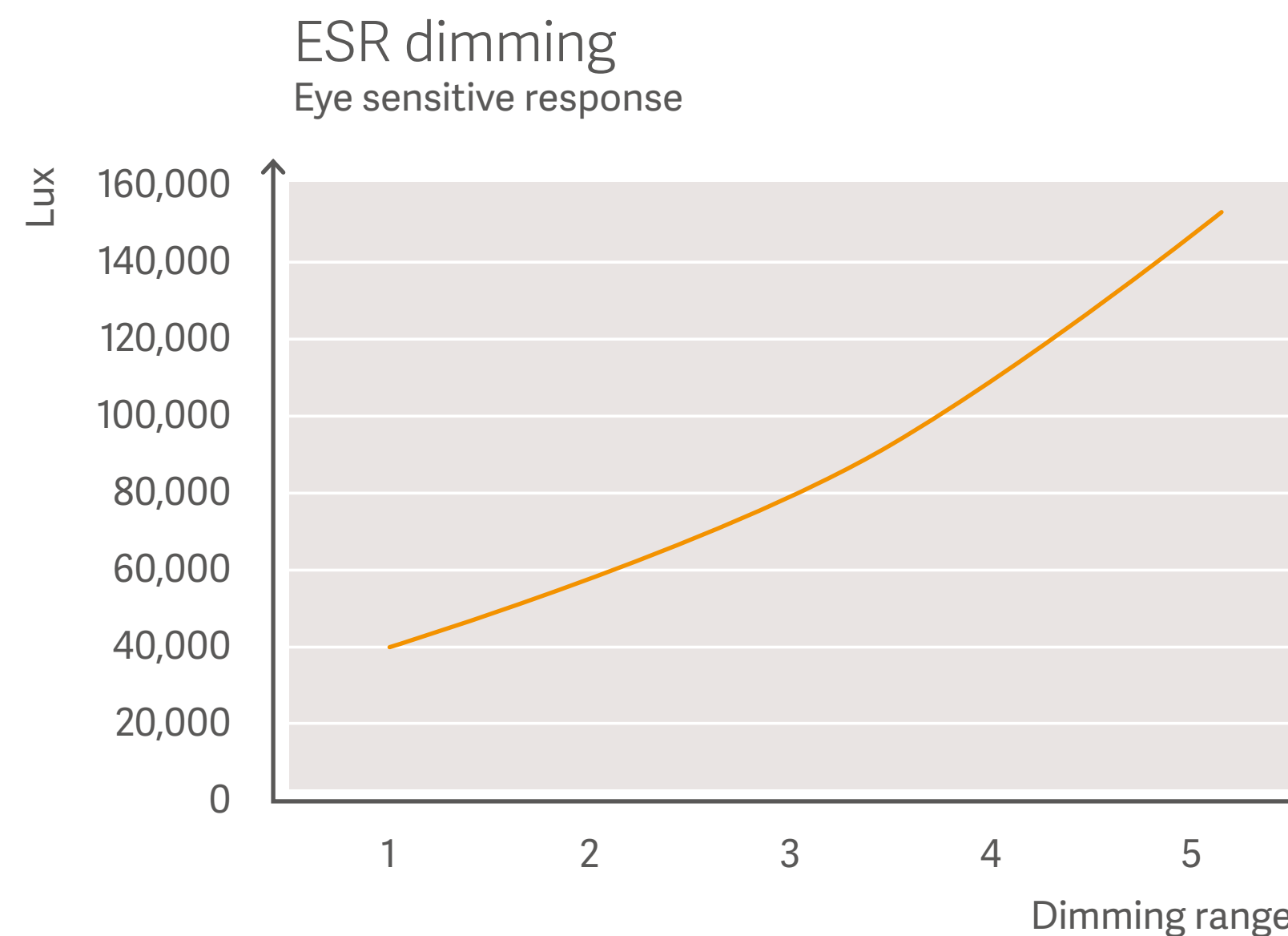
Maquet Ezea Surgical Light Risk management

Eye sensitive response dimming: Designed to assist your eyes with dimming following human eye sensitivity per Fechner's law. Each dimming step is seen by human eyes with the same amount of light difference, in order to provide a smooth and adapted range of illumination.

Protecting vision: Maquet Ezea automatically starts at dimming level 3 to minimize the optical risks of excessively high illumination. Adjustments can be made if necessary.

Clear and natural vision: Maquet Ezea provides surgeons with a clear view of the surgical site, delivering natural and accurate color representation. With a color rendering index of Ra 95, Maquet Ezea accurately represents colors.

Enhancing visibility for minimally invasive surgery: Maquet Ezea comes equipped with an ambient light mode. This offers sufficient illumination for safely navigating the dimly lit operating room.



Maquet Ezea ensures a gentle start without excessively high illumination, adjustments are made only if necessary.



Enhancing visibility for
minimally invasive surgery.



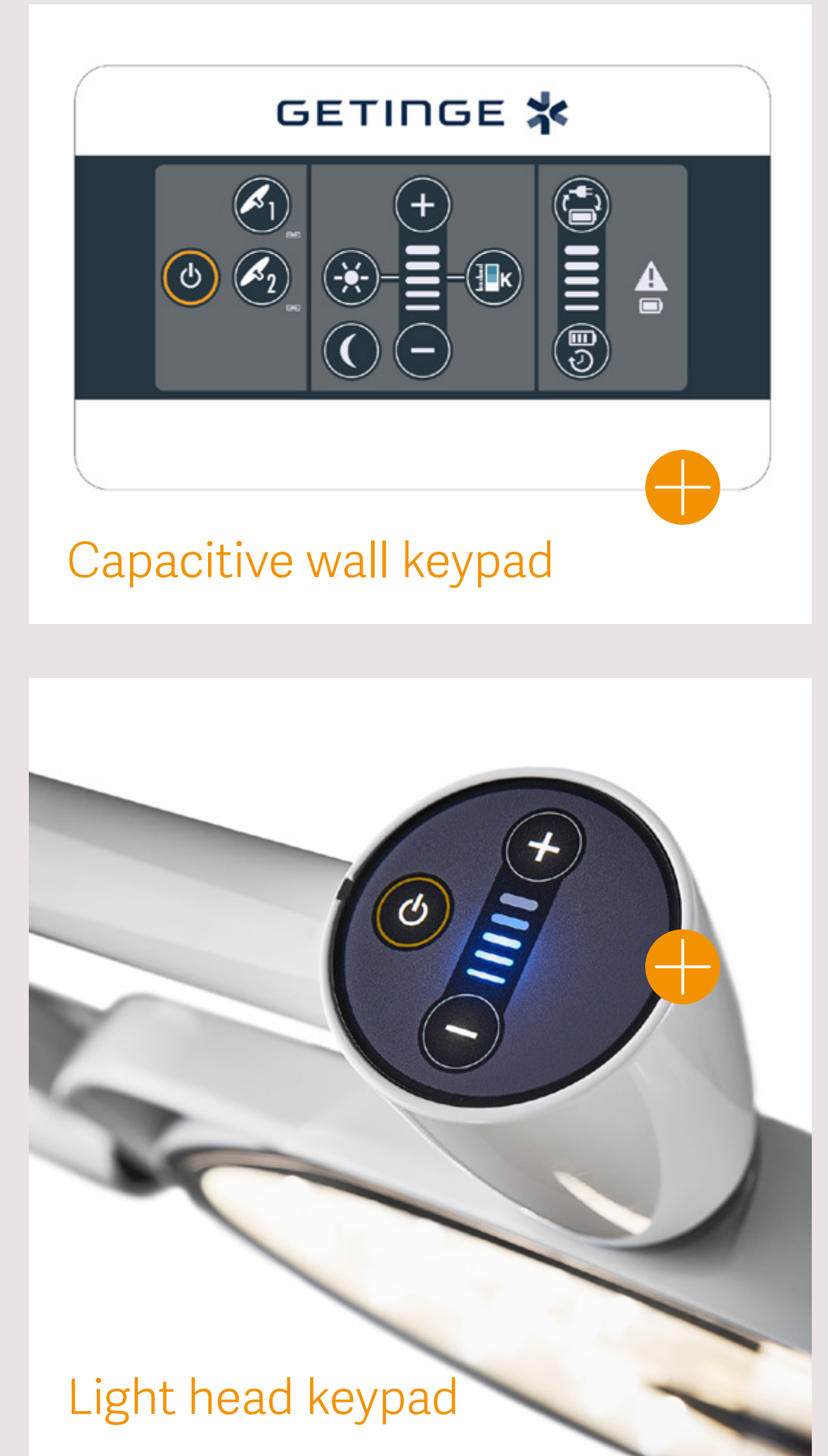
Maquet Ezea Surgical Light Robustness

- Spend less time readjusting: The stable suspension system, featuring friction rings, ensures secure positioning greatly minimizing drift. It has fewer maintenance requirements and minimizes the need for brake readjustments.
- Strong and proven design: The mobile version boasts a time-tested design and incorporates proven technology. Robust 100% steel sheet construction ensures durability and sturdiness
- The aluminum light head frame ensures long-lasting durability and reliability.
- Efficient engineering principles are at the core of this design:
 - Simplicity
 - Easy maintenance
 - Minimal number of components
 - A single PCB houses both LEDs and the main electronic board, eliminating unnecessary cabling and intricate regulation boards.
- Reduce operational disruptions: The LEDs boast an impressive lifetime of up to 60,000 hours.
- Clean without worry: The sterilizable handle enables up to 350 cleaning cycles.

Suitable for different applications

Fullfilling all needs

Thanks to its versatility across various versions, Maquet Ezea is suitable for a wide range of environments, including general operating rooms, emergency departments, outpatient treatment rooms, delivery rooms, labs, and even intensive care units.



Maquet Ezea
is suitable for a
wide range of
environments.



Take a detailed look at Maquet Ezea

Technical details

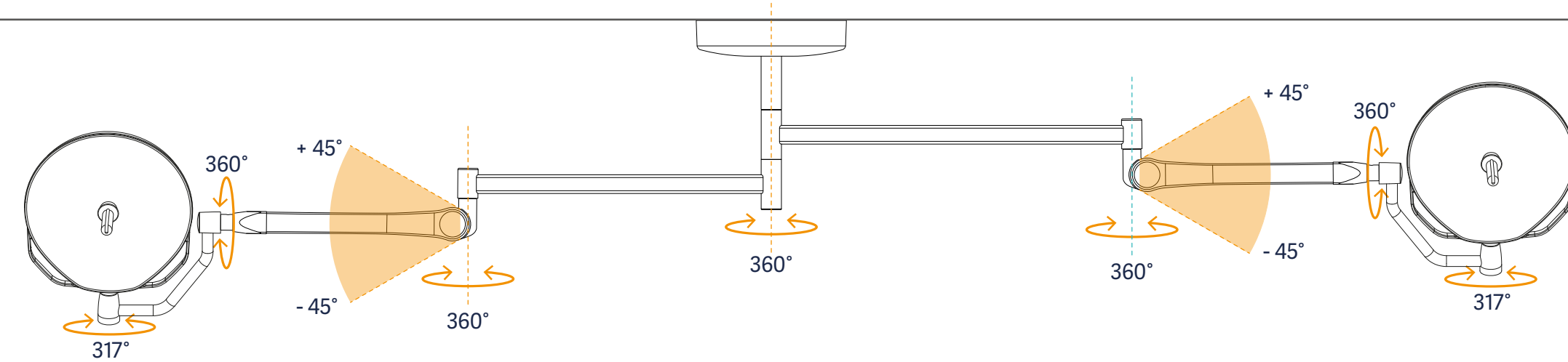
Optical characteristics

Maximum illumination	160,000 lux
Diameter d10	22 cm / 8.66 in
Illumination depth at 60%	70 cm / 27.5 in
Color temperature	Fixed: 4,300 K Adjustable: 4,100 K / 4,600 K
Color rendering index	95
Careview	Yes, < 350 W/m ²
FSP (Flux stability program)	Yes

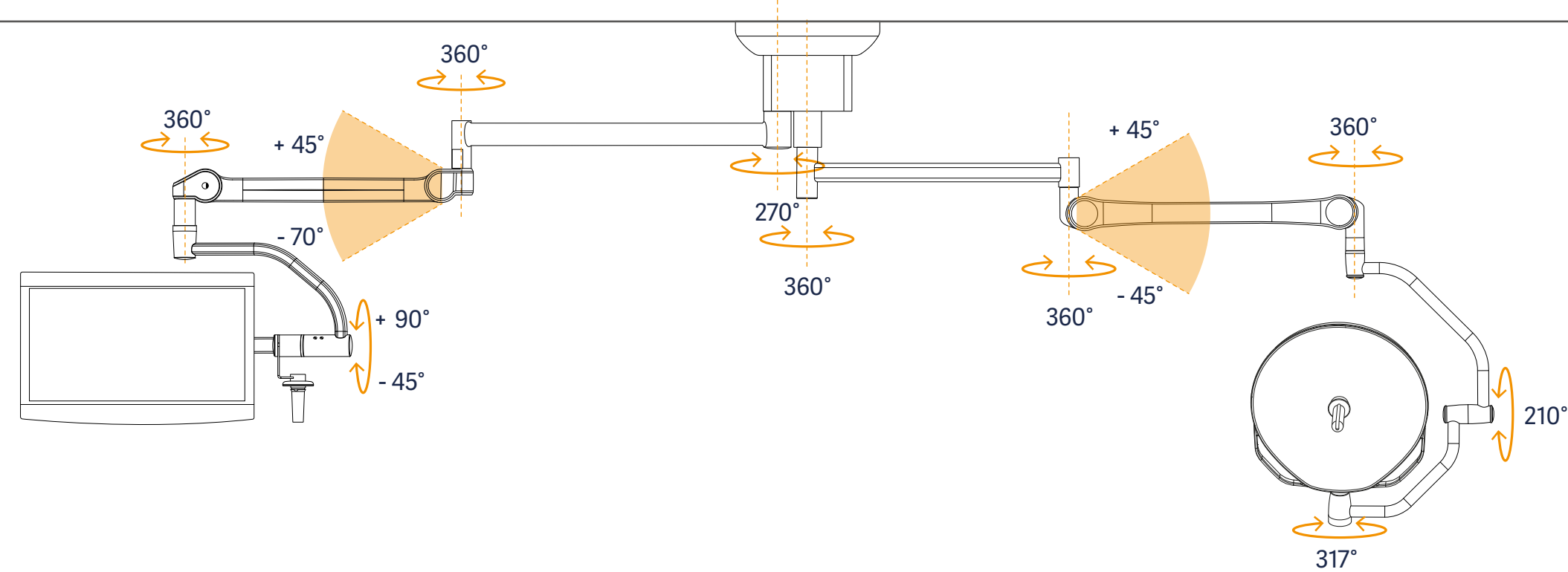
Arms lengths

Single SF	1,150 mm / 45.2 in
Dual SF	1,000–1,150 mm / 39.3 in–45.2 in
Single DF	850 mm / 33.4 in
Dual DF	850–1,000 mm / 33.4–39.3 in
Dual SF/DF	1,000–1,150 mm / 39.3 in–45.2 in

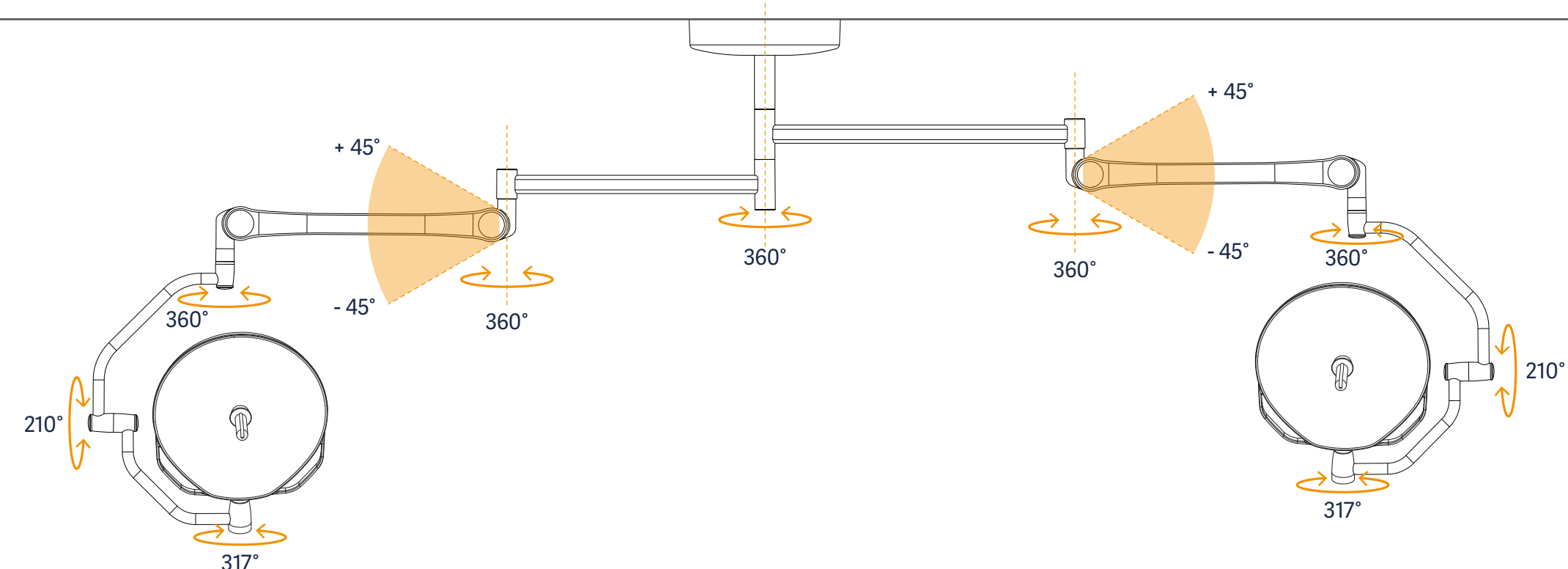
Maquet Ezea 300/300 single fork configuration



Maquet Ezea 300 with flat screen holder on satellite tube



Maquet Ezea 300/300 double fork configuration




This information is intended for an international audience outside the US.

This information is aimed exclusively at healthcare professionals or other professional audiences and are for informational purposes only, is not exhaustive and therefore should not be relied upon as a replacement of the Instructions for Use, service manual or medical advice. Getinge shall bear no responsibility or liability for any action or omission of any party based upon this material, and reliance is solely at the user's risk.

Any therapy, solution or product mentioned might not be available or allowed in your country. Information may not be copied or used, in whole or in part, without written permission by Getinge.

Manufacturer · Maquet S.A.S · Parc de Limère · Avenue de la Pomme de Pin · CS 10008 Ardon · 45074 Orléans, cedex 2 · France

© 2023 Getinge | Getinge and **GETINGE**  are trademarks or registered trademarks of Getinge AB, its subsidiaries or affiliates.
DMS-0004641 | All rights reserved.

GETINGE 